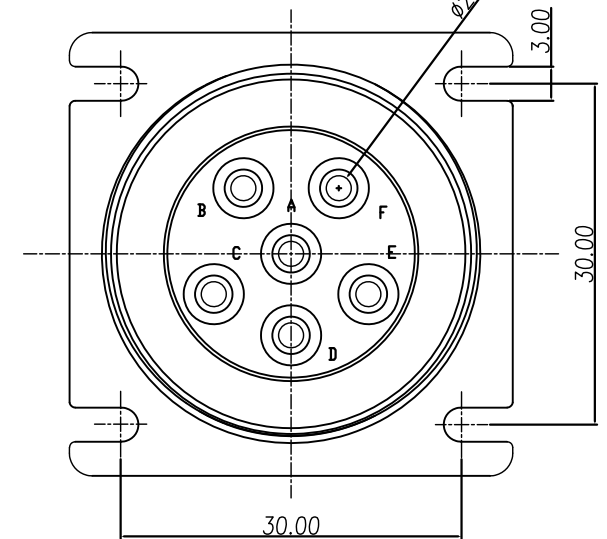
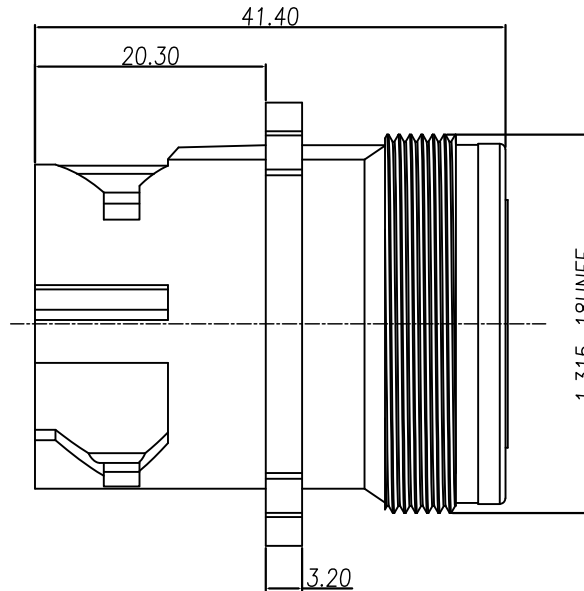
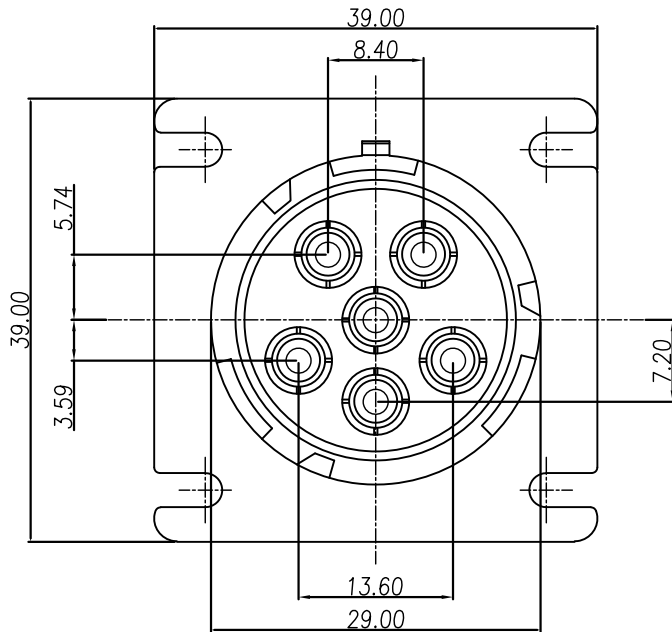
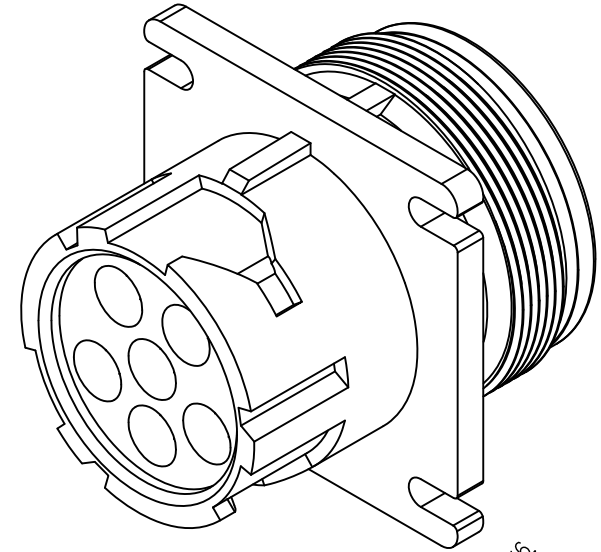


This document is the property of Nian-Yeong Corporation and is delivered on the express condition that it is not to be disclosed, reproduced or used, in whole or in part, for manufacture or sale by anyone other than Nian-Yeong Corporation without its prior consent, and that no right is granted to disclose or to use any information in this document.

CUSTOMER DRAWING

REV.	DESCRIPTION	APPROVED BY	DATE	ECN NO.
A	RELEASE	EMILY SUEN	03/01/11"	
B	更正最小圖尺寸		31/01/13"	
C				

1. MATERIAL :
 - 1-1. INSULATOR : PA66 ; COLOR : GRAY
 - 1-2. HOUSING : PA66 ; COLOR : GRAY
 - 1-3. REAR COVER : PA66 ; COLOR : GRAY
 - 1-4. RUBBER : SILICONE ; COLOR : ORANGE
2. ELECTRICAL SPECIFICATION :
 - 2-1. Rated current : 25A
 - 2-2. Rated Voltage : 500V
 - 2-3. Water proof : IP67
3. Environmental :
 - 3-1. Operation Temperature : -40°~105°



DRAWN	Mark Kao	APP'D	Ku Chou	UNIT	mm	TOLERANCE		NIAN YEONG ENTERPRISE 年永實業有限公司	TITLE	防水頭6PIN(F)(1.375-18UNEF)			SHEET	B
CHK'D	Emily Suen	SCALE	1:1			.x ±0.20 .xx ±0.15 .xxx ±0.10 .xxxx ±0.05 ANGULA ±1°			PART NO.	WP-06F2-20	DWG NO.	QC5167	VERSION	