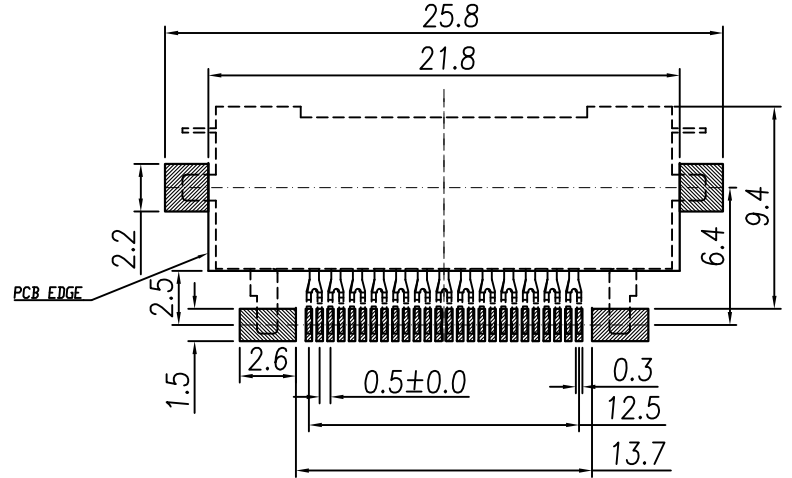
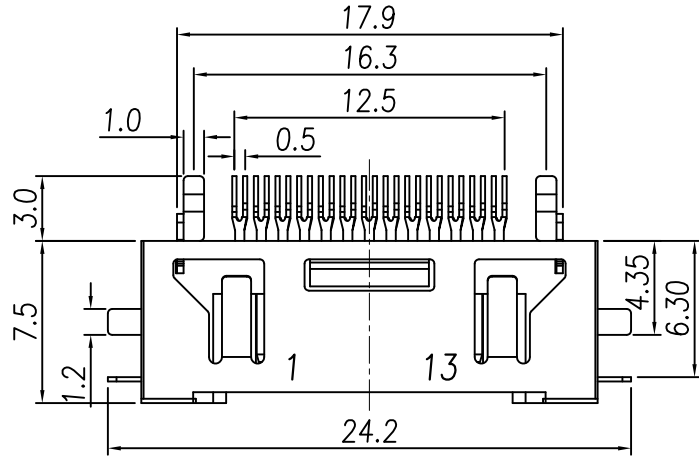


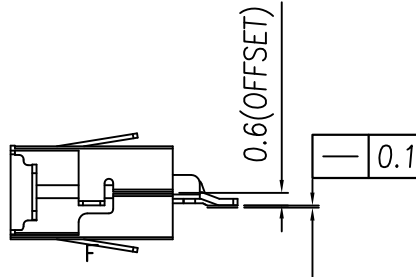
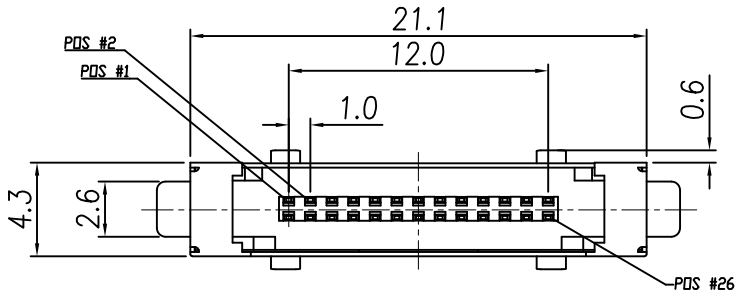
This document is the property of Nian-Yeong Corporation and is delivered on the express condition that it is not to be disclosed, reproduced or used, in whole or in part, for manufacture or sale by anyone other than Nian-Yeong Corporation without its prior consent, and that no right is granted to disclose or to use any information in this document.

CUSTOMER DRAWING

REV.	DESCRIPTION	APPVL. BY	DATE	ECN NO.
E	增加生產注意事項	Fido Weng	26/05/08'	ECN09086
F	取消生產注意事項	Fido Weng	12/10/09'	
G	MODIFY DRAWING & PCB LAYOUT	Fido Weng	10/12/10'	



RECOMMEND P.C.B LAYOUT



- MATERIAL :
 - 1-1. HOUSING : LCP UL94V-0 ; COLOR : BLACK
 - 1-2. CONTACT : PHOSPHOR BRONZE
 - 1-3. SHELL : Nickel Silver Alloy
 - 1-4. GROUND : PHOSPHOR BRONZE
- FINISH :
 - 2-1. CONTACT : CONTACT AREA : SEE TABLE A
SOLDER AREA : BRIGHT TIN
UNDER PLATE : NICKEL
 - 2-2. SHELL : MATTE-TIN
 - 2-3. GROUND : BRIGHT TIN OVER ALL
- ELECTRICAL SPECIFICATION :
 - 3-1. Rated current : 0.5A
 - 3-2. Voltage : 300V
- Environmental :
 - 4-1. Operation Temperature : -40°C~85°C

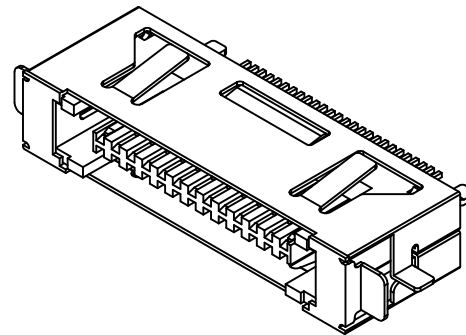
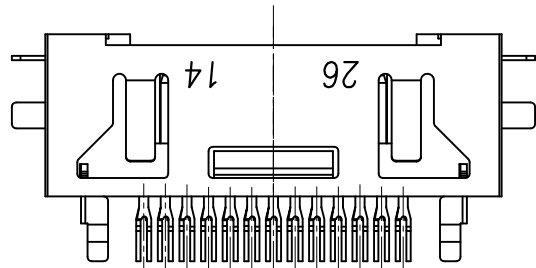


TABLE A

P/N	DESCRIPTION	PLATING
PC-26F4-03	PCMCIA 26P 公插成品	30u"
PC-26F4-01	PCMCIA 26P 公插成品	5u"

DRAWN	APP'D	UNIT	TOLERANCE	ANGULAR	TITLE	PART NO.	VERSION
Ku Chou	Fido Weng	mm	.x ±0.20 .xx ±0.10 .xxx ±0.05 .xxxx ±0.03	±1°	PCMCIA 26PIN (M)-6	TABLE A	1/2
CHK'D	Emily Suen	SCALE	1:1			DWG NO.	QC0475

NIAN YEONG ENTERPRISE
年永實業有限公司

This document is the property of Nian-Yeong Corporation and is delivered on the express condition that it is not to be disclosed, reproduced or used, in whole or in part, for manufacture or sale by anyone other than Nian-Yeong Corporation without its prior consent, and that no right is granted to disclose or to use any information in this document.

CUSTOMER DRAWING

REV.	DESCRIPTION	APPVL. BY	DATE	ECN NO.
E	增加生產注意事項	Fido Weng	26/05/08*	ECN09086
F	取消生產注意事項	Fido Weng	12/10/09*	
G	MODIFY DRAWING & PCB LAYOUT	Fido Weng	10/12/10*	

步驟一:

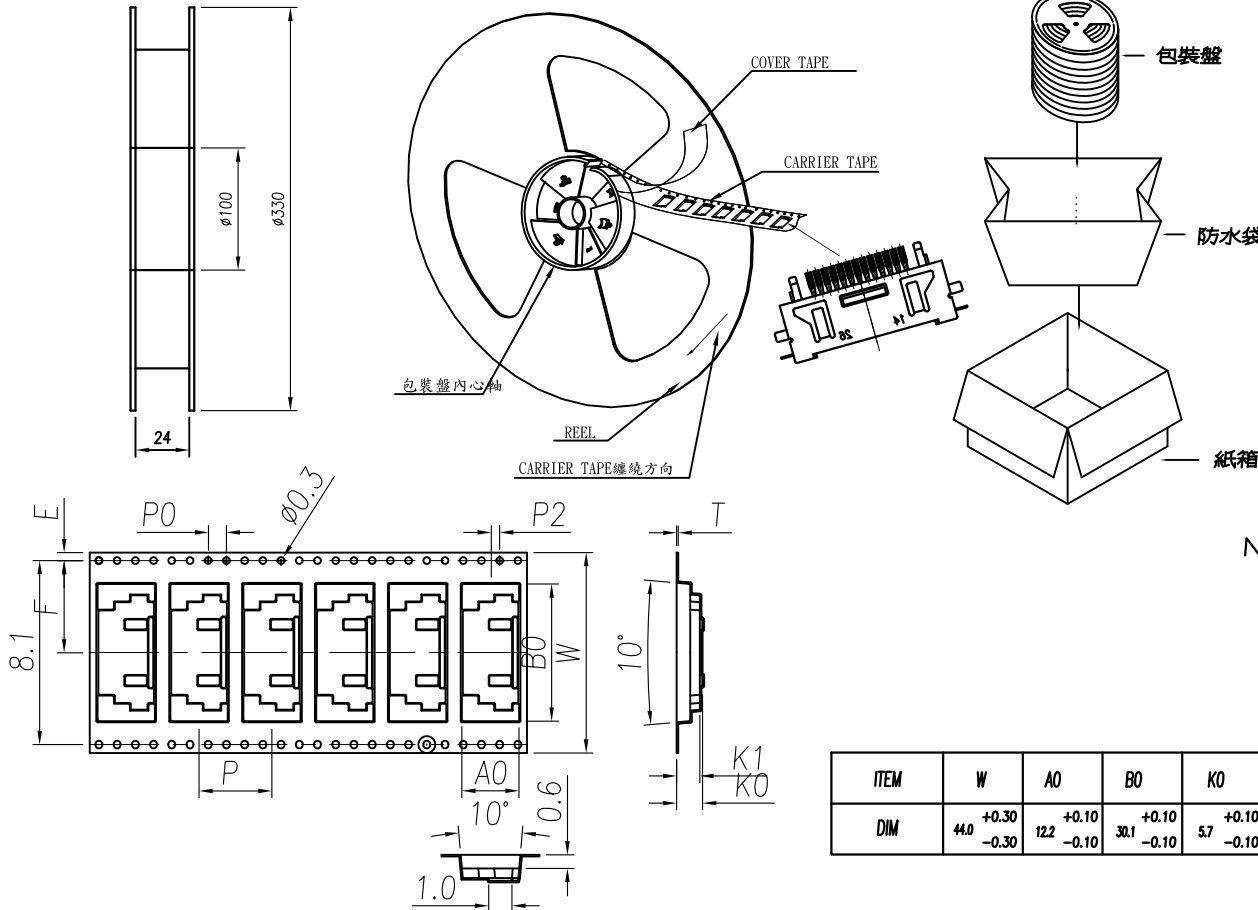
- 將成品一一放入包裝盤內,依同一方向置入.
- 包裝方式,如圖所示.
- 一個包裝盤700pcs.

步驟二:

- 一個紙箱可以裝6個包裝盤.
- 每盤700pcs,每箱7000pcs.
- 將包裝盤放入防水袋中,包裝完後再封箱.

步驟三:

- 用膠帶將紙箱封實.
- 將標籤貼於紙箱上.
- 外箱尺寸:35cm*35cm*31cm



NOTE:

- 若有未裝滿之零數箱,必須以緩衝材塞滿.
- 在搬運過程中要輕拿輕放.
- 載運輸中不可堆放過多,不可有重壓現象.
- 在裝滿產品後,必須空留帶前和帶後15格以上,然後用紙膠布貼上.
- 上帶在貼下帶時必須平整,且黏貼處不要出現氣泡.

ITEM	W	AO	BO	KO	K1	P	F	E	D0	D1	P0	P2	T
DIM	44.0 +0.30 -0.30	122 +0.10 -0.10	30.1 +0.10 -0.10	5.7 +0.10 -0.10	5.1 +0.10 -0.10	16.0 +0.10 -0.10	20.2 +0.10 -0.10	1.75 +0.10 -0.10	1.5 +0.10 -0.00	0.00 +0.25 -0.00	4.0 +0.10 -0.10	2.0 +0.10 -0.10	0.4 +0.05 -0.05

DRAWN	Ku Chou	APP'D	Fido Weng	UNIT	mm	TOLERANCE	 NIAN YEONG ENTERPRISE 年永實業有限公司	TITLE	PCMCIA 26PIN A TYPE (F)			SHEET	2
CHK'D	Emily Suen			SCALE	1:1	.x ±0.20 .xx ±0.10 .xxx ±0.05 .xxxx ±0.03 ANGULA ±1°		PART NO.	TABLE A	DWG NO.	QC0475	VERSION	G