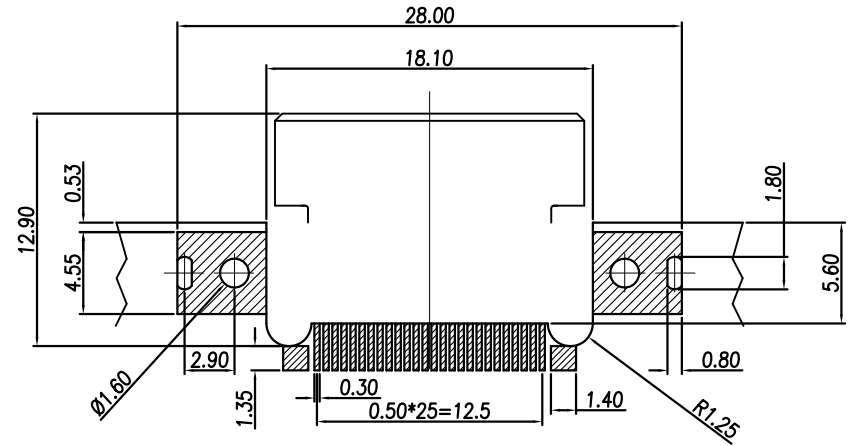
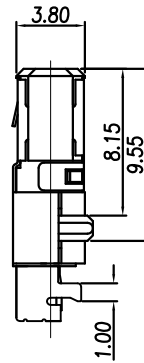
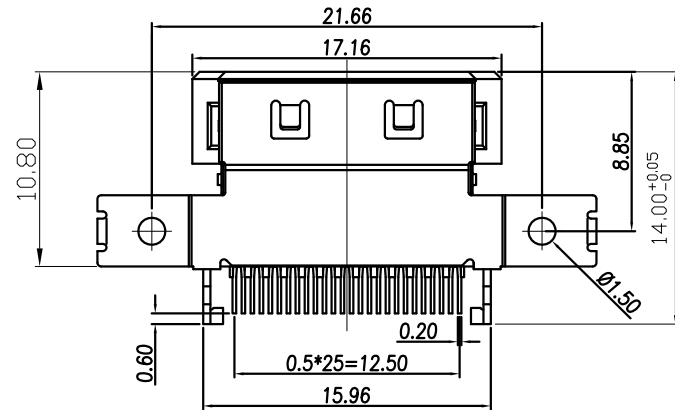
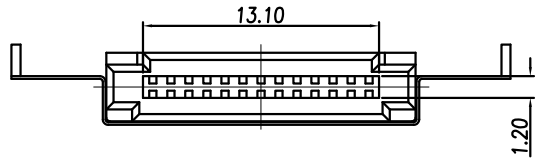


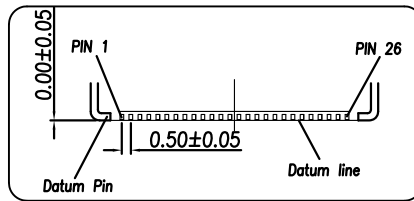
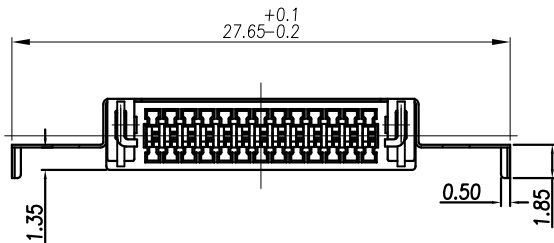
This document is the property of Nian-Yeong Corporation and is delivered on the express condition that it is not to be disclosed, reproduced or used, in whole or in part, for manufacture or sale by anyone other than Nian-Yeong Corporation without its prior consent, and that no right is granted to disclose or to use any information in this document.

CUSTOMER DRAWING

REV.	DESCRIPTION	APPVL. BY	DATE	ECN NO.
A	RELEASE	Fido Weng	28/11/13*	
B				
C				



RECOMMEND P.C.B LAYOUT



1. MATERIAL :
 - 1-1. HOUSING : LCP UL94V-0 ; COLOR : BLACK
 - 1-2. CONTACT : PHOSPHOR BRONZE
 - 1-3. SHELL-1 : PHOSPHOR BRONZE
 - 1-4. SHELL-2 : PHOSPHOR BRONZE
 - 1-5. GROUND : BRASS.
2. FINISH :
 - 2-1. CONTACT :
 - CONTACT AREA : GOLD 30u"
 - SOLDER AREA : BRIGHT TIN
 - UNDER PLATE : NICKEL
 - 2-2. SHELL : MATTE TIN
 - UNDER PLATE : NICKEL
 - 2-3. GROUND : BRIGHT TIN
 - UNDER PLATE : NICKEL

DRAWN	Yeh Chou	APP'D	Ku Chou	UNIT	mm	TOLERANCE	 NIAN YEONG ENTERPRISE 年永實業有限公司	TITLE	PCMCIA 26PIN B TYPE			SHEET	1/2
CHK'D	Emily Suen			SCALE	1:1	.x ±0.20 .xx ±0.10 .xxx ±0.05 .xxxx ±0.03 ANGULA ±1°		PART NO.	PC-26M4-04-01	DWG NO.	QC6426	VERSION	A

This document is the property of Nian-Yeong Corporation and is delivered on the express condition that it is not to be disclosed, reproduced or used, in whole or in part, for manufacture or sale by anyone other than Nian-Yeong Corporation without its prior consent, and that no right is granted to disclose or to use any information in this document.

CUSTOMER DRAWING

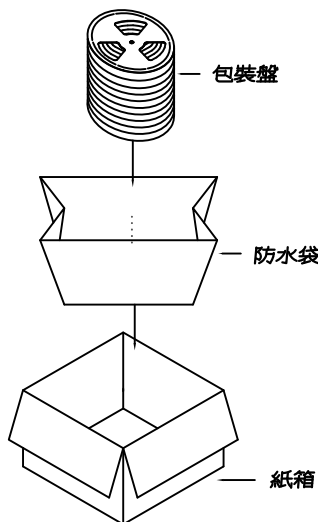
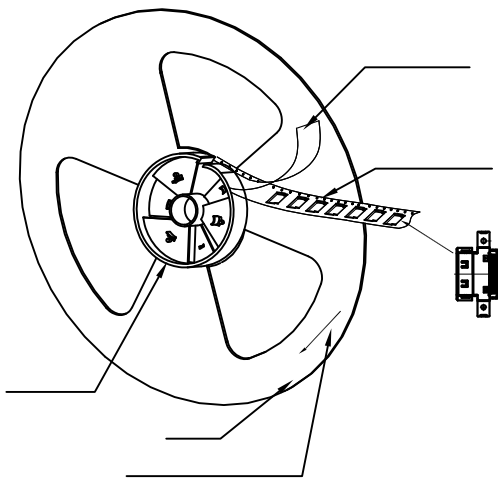
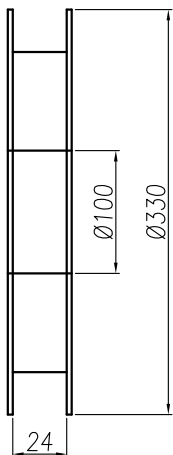
REV.	DESCRIPTION	APPVL. BY	DATE	ECN NO.
A	RELEASE	Fido Weng	28/11/13*	
B				
C				

步驟一:

- 將成品一一放入包裝盤內,依同一方向置入.
- 包裝方式,如圖所示.
- 一個包裝盤500pcs.

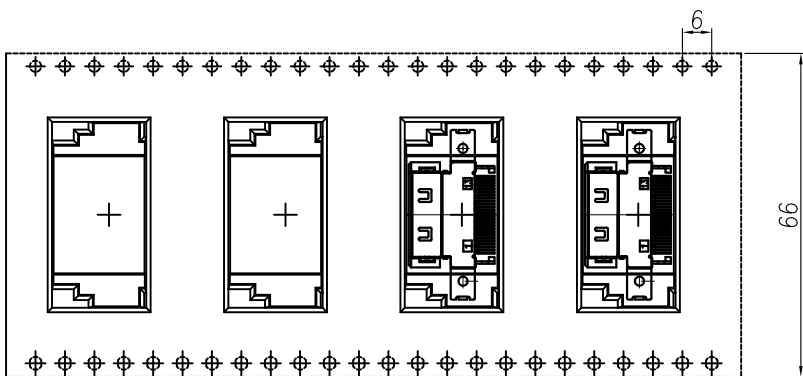
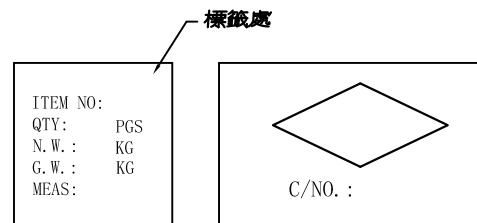
步驟二:

- 一個紙箱可以裝10個包裝盤.
- 每盤500pcs,每箱5000pcs.
- 將包裝盤放入防水袋中,包裝完後再封箱.



步驟三:

- 用膠帶將紙箱封實.
- 將標籤貼於紙箱上.



NOTE:

- 若有未裝滿之零數箱,必須以緩衝材塞滿.
- 在搬運過程中要輕拿輕放.
- 載運輸中不可堆放過多,不可有重壓現象.
- 在裝滿產品後,必須空留帶前和帶後15格以上,然後用紙膠布貼上.
- 上帶在貼下帶時必須平整,且黏貼處不要出現氣泡.

DRAWN	Yeh Chou	APP'D	Ku Chou	UNIT	mm	TOLERANCE	 NIAN YEONG ENTERPRISE 年永實業有限公司	TITLE	PCMCIA 26PIN B TYPE TAPE & REEL			SHEET	2
CHK'D	Emily Suen			SCALE	1:1	.x ±0.20 .xx ±0.10 .xxx ±0.05 .xxxx ±0.03 ANGULA ±1°		PART NO.	PK-1-PC260501	DWG NO.	QC6426	VERSION	A