

This document is the property of Nian-Yeong Corporation and is delivered on the express condition that it is not to be disclosed, reproduced or used, in whole or in part, for manufacture or sale by anyone other than Nian-Yeong Corporation without its prior consent, and that no right is granted to disclose or to use any information in this document.

# CUSTOMER DRAWING

REV.	DESCRIPTION	APPL. BY	DATE	ECN NO.
A	RELEASE	FIDO WENG	30/03/09*	S-09018
B	新增材質	FIDO WENG	28/04/09*	ECN09074
C				

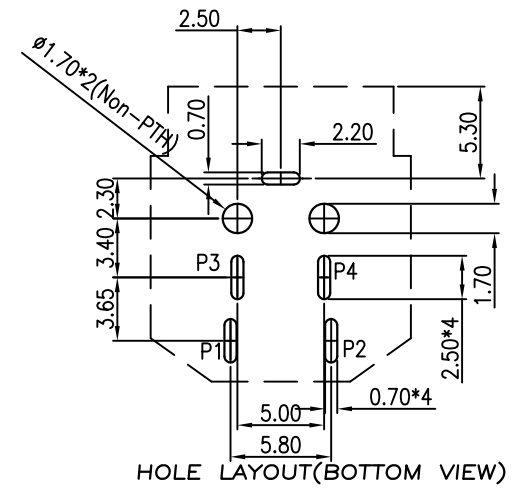
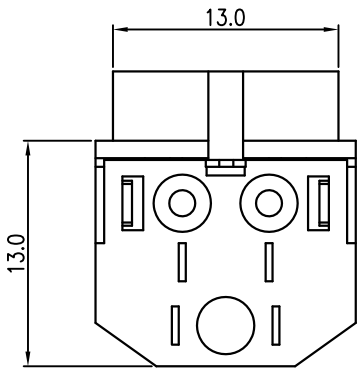
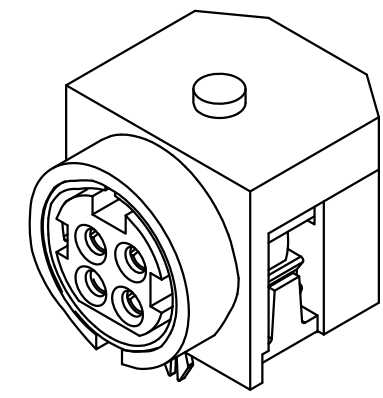
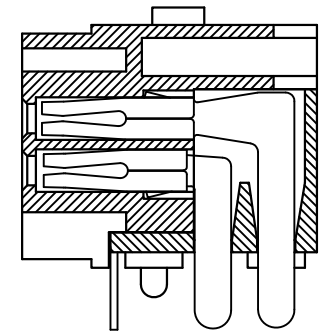
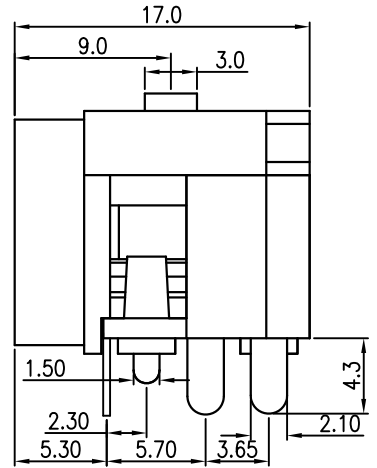
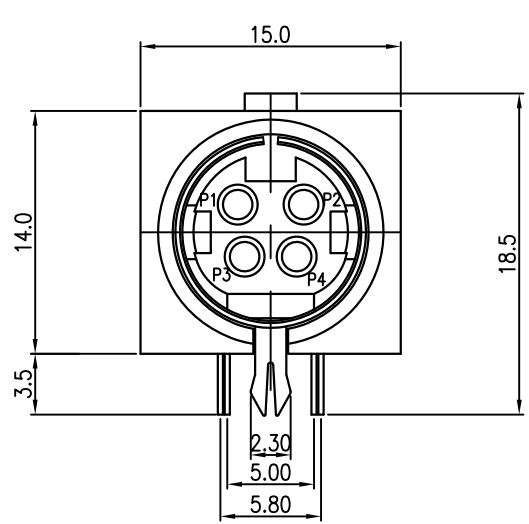


TABLE A

P/N	DESCRIPTION	MATERIAL
PD-04F2-13	PowerDin 4(F) 板端DIP 無鐵殼	LCP
PD-04F2-08	PowerDin 4(F) 板端DIP 無鐵殼	PBT

- MATERIAL :
  - HOUSING : SEE TABLE A
  - CONTACT : PHOSPHOR BRONZE
  - GROUND : BRASS
- FINISH :
  - CONTACT : SILVER PLATING OVER NICKEL
  - GROUND : NICKEL PLATED OVER ALL
- ELETRICAL SPECICATION :
  - RATED CURRENT : 7.5A/DC MAX
  - RATED VOLTAGE : 20V/DC MAX
- ENVIRONMENTAL :
  - OPERATION TEMPERATURE : -20 °C~85°C

DRAWN	賴鴻志	APP'D	Emily Suen	UNIT	mm	TOLERANCE			TITLE	PowerDin 4(F) 板端DIP 無鐵殼			SHEET	1
CHK'D	Emily Suen			SCALE	1:1	.x ±0.25 .xx ±0.15 .xxx ±0.05 .xxxx ±0.03 ANGULA ±1°			PART NO.	SEE TABLE A	DWG NO.	QC1158	VERSION	B

NIAN YEONG ENTERPRISE  
年永實業有限公司