

This document is the property of Nian-Yeong Corporation and is delivered on the express condition that it is not to be disclosed, reproduced or used, in whole or in part, for manufacture or sale by anyone other than Nian-Yeong Corporation without its prior consent, and that no right is granted to disclose or to use any information in this document.

CUSTOMER DRAWING

REV.	DESCRIPTION	APPROVED BY	DATE	ECN NO.
A	RELEASE	Fido Weng		
B				
C				

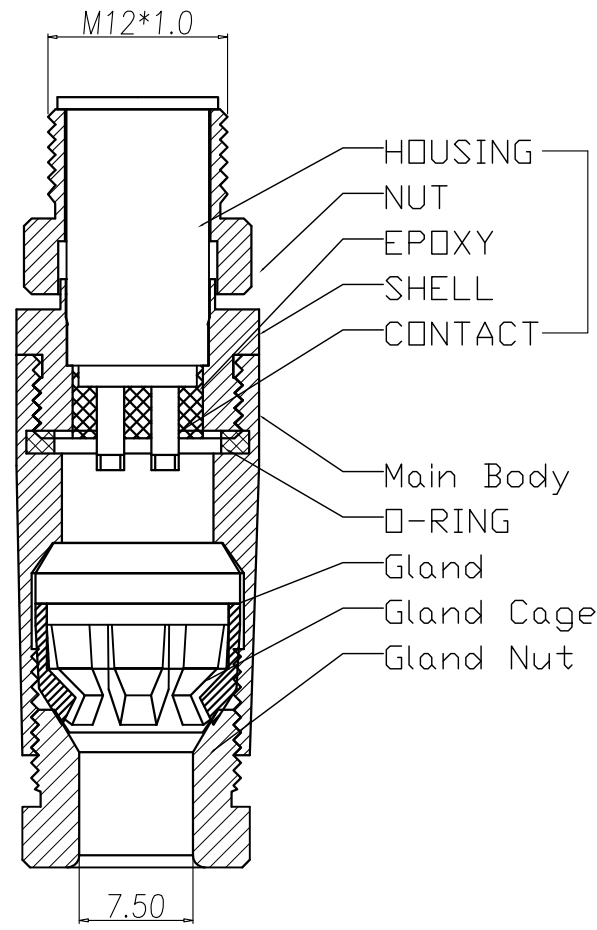
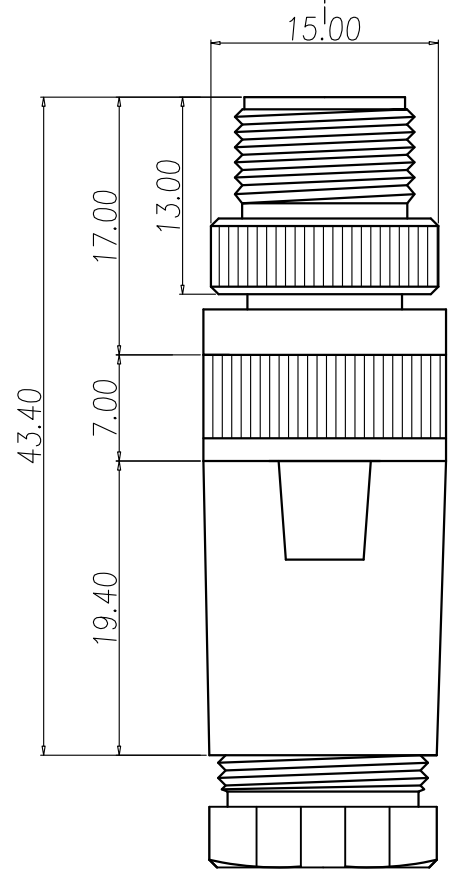
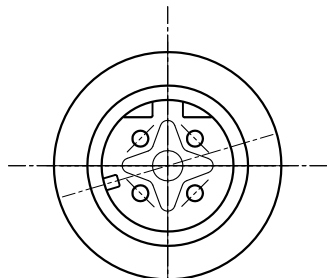


TABLE A/表A

WP-05M2-114-11	GOLD FLASH
WP-04M2-78	GOLD FLASH
WP-04M2-137-11	GOLD 10u"
PART NO	FINISH

- MATERIAL :
 - NY-WP494 :
 - HOUSING : PBT UL94V-0 ; COLOR : BLACK.
 - CONTACT : BRASS
 - NUT : ALUMINUM ALLOY
 - SHELL : ALUMINUM ALLOY
 - Main Body : ALUMINUM ALLOY
 - Gland : SILICONE COLOR : BLACK.
 - Gland Cage : POM ; COLOR : BLACK.
 - Gland Nut : ALUMINUM ALLOY.
 - O-Ring : SILICONE COLOR : BLACK.
- FINISH :
 - NY-WPXXX :
 - CONTACT : SEE TABLE A
UNDER PLATE : NICKEL.
 - NUT : SATIN Ni PLATED.
 - SHELL : SATIN Ni PLATED.
 - Main Body : SATIN Ni PLATED.
 - Gland Nut : SATIN Ni PLATED.
- ELECTRICAL SPECIFICATION :
 - Rated current : 4A
 - Rated Voltage : 4PIN 250V ; 5PIN 60V
 - Water proof : IPX7
- Environmental :
 - Operation Temperature : -20 °C~85°C

DRAWN	Mark Kao	APP'D	Ku Chou	UNIT	mm	TOLERANCE		TITLE	M12 4PIN(M) D-coded Assembly type			SHEET	1/2
CHK'D	Emily Suen			SCALE	1:1	.x ±0.20 .xx ±0.10 .xxx ±0.05 .xxxx ±0.03 ANGULA ±1°		PART NO.	SEE TABLE A	DWG NO.	QC5980	VERSION	A

NIAN YEONG ENTERPRISE
年永實業有限公司

This document is the property of Nian-Yeong Corporation and is delivered on the express condition that it is not to be disclosed, reproduced or used, in whole or in part, for manufacture or sale by anyone other than Nian-Yeong Corporation without its prior consent, and that no right is granted to disclose or to use any information in this document.

CUSTOMER DRAWING

REV.	DESCRIPTION	APPROVED BY	DATE	ECN NO.
A	RELEASE	Fido Weng		
B				
C				

ASSEMBLY INSTRUCTION

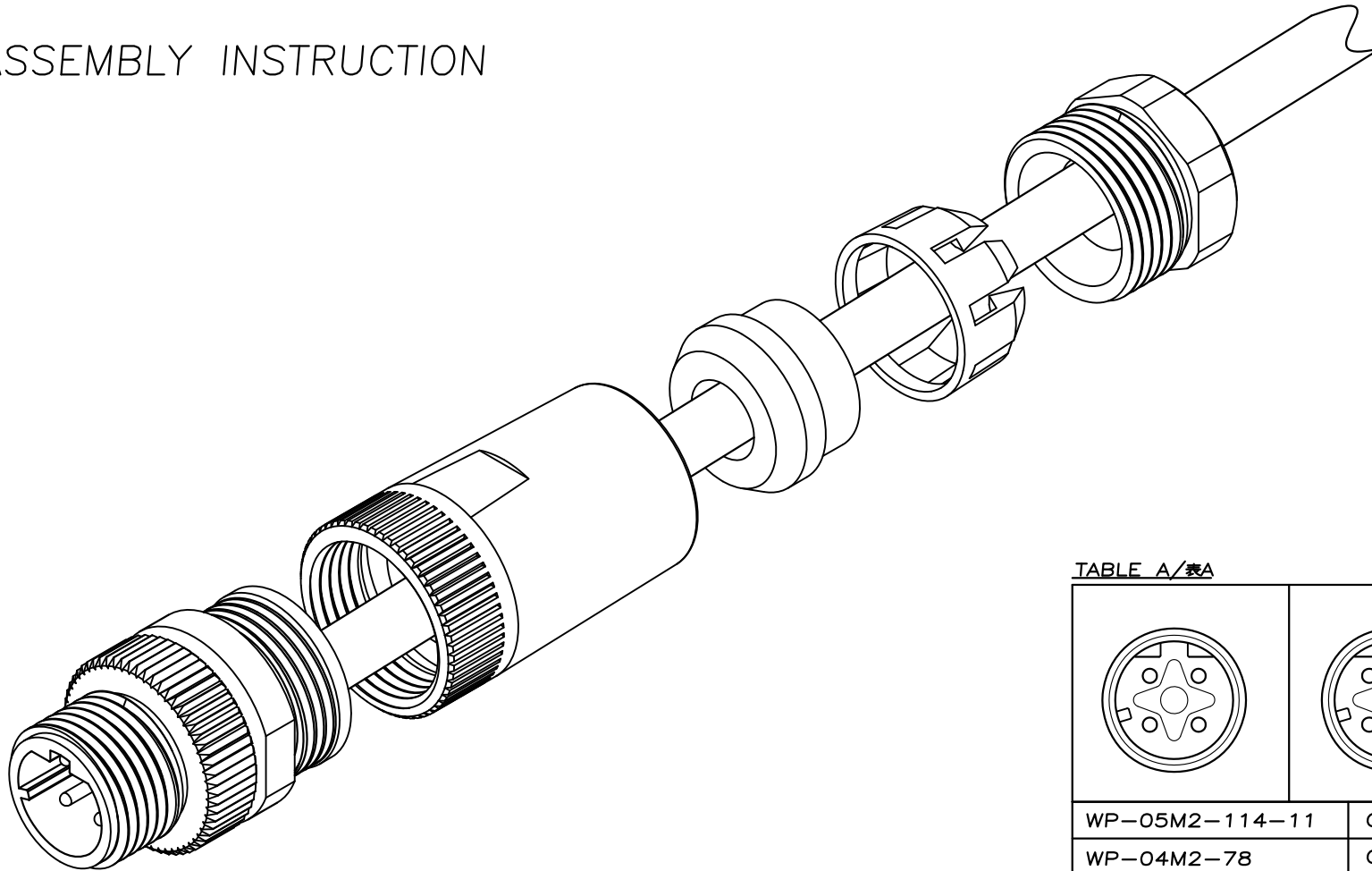


TABLE A/表A

WP-05M2-114-11	GOLD FLASH
WP-04M2-78	GOLD FLASH
WP-04M2-137-11	GOLD 10u"
PART NO	FINISH

DRAWN	Mark Kao	APP'D	Ku Chou	UNIT	mm	TOLERANCE		TITLE	M12 4PIN(M) D-coded Assembly type		SHEET	
CHK'D	Emily Suen			SCALE	1:1	.x ±0.20 .xx ±0.10 .xxx ±0.05 .xxxx ±0.03 ANGULA ±1°		PART NO.	SEE TABLE A	DWG NO.	QC5980	

NIAN YEONG ENTERPRISE
年永實業有限公司