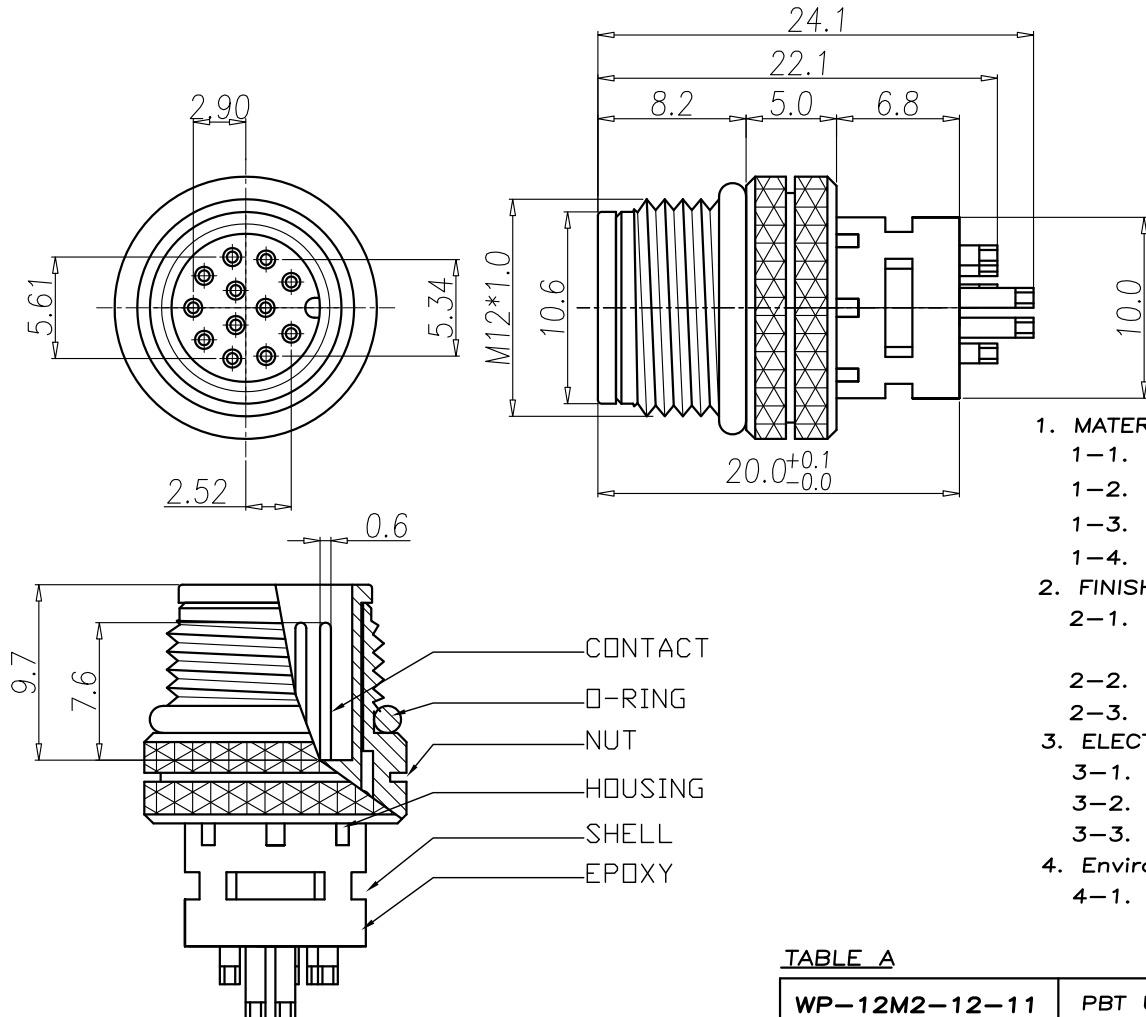


This document is the property of Nian-Yeong Corporation and is delivered on the express condition that it is not to be disclosed, reproduced or used, in whole or in part, for manufacture or sale by anyone other than Nian-Yeong Corporation without its prior consent, and that no right is granted to disclose or to use any information in this document.

# CUSTOMER DRAWING

REV.	DESCRIPTION	APPROVED BY	DATE	ECN NO.
A	RELEASE	Fido Weng	30/10/09*	
B				
C				



1. MATERIAL :
  - 1-1. HOUSING : SEE TABLE A
  - 1-2. CONTACT : BRASS
  - 1-3. NUT : BRASS
  - 1-4. SHELL : BRASS
2. FINISH :
  - 2-1. CONTACT : SEE TABLE A  
UNDER PLATE : NICKEL
  - 2-2. NUT : NICKEL PLATED
  - 2-3. SHELL : BRIGHT TIN
3. ELECTRICAL SPECIFICATION :
  - 3-1. Rated current : 1.5A
  - 3-2. Rated Voltage : 30V
  - 3-3. Water proof: IPX7
4. Environmental :
  - 4-1. Operation Temperature : -40°C~85°C

TABLE A

P/N	MATERIAL	FINISH
WP-12M2-12-11	PBT UL94V-0 ; COLOR : BLACK	GOLD FLISH
WP-12M2-06	PBT UL94V-0 ; COLOR : BLACK	GOLD 10u"
WP-12M2-11-11	NYLON 66 ; COLOR : BLACK	GOLD 10u"

DRAWN	Mark Kao	APP'D	Ku Chou	UNIT	mm	TOLERANCE		TITLE	WP M12 12P(M) 焊線式(接地剖溝)			SHEET	
CHK'D	Emily Suen			SCALE	1:1	.x ±0.20 .xx ±0.10 .xxx ±0.05 .xxxx ±0.01 ANGULA ±1°		PART NO.	SEE TABLE A	DWG NO.	QC6149	VERSION	

**NIAN YEONG ENTERPRISE**  
年永實業有限公司