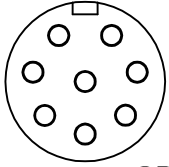
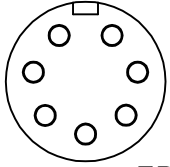
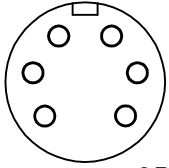
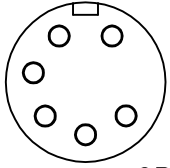
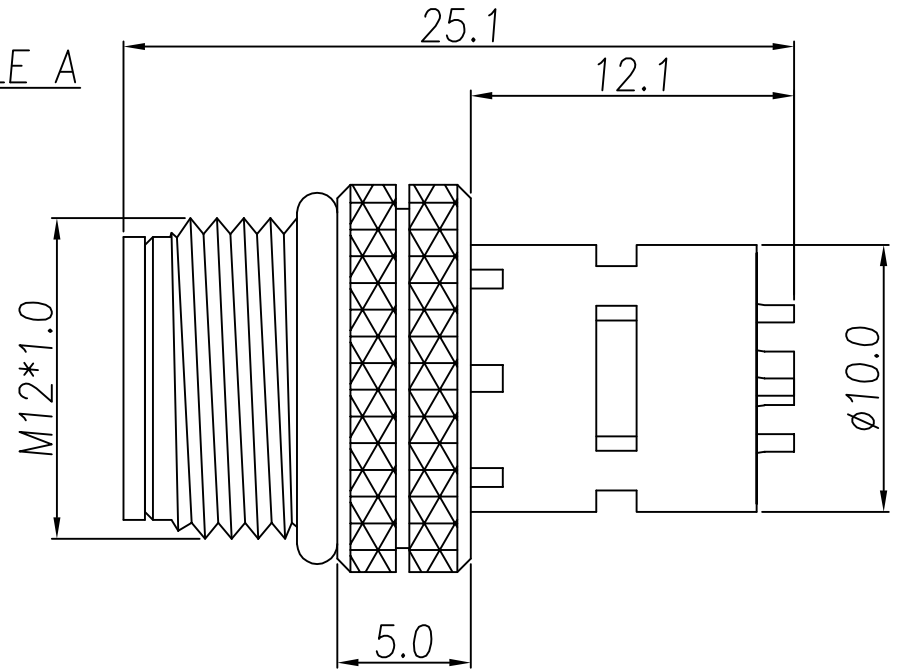
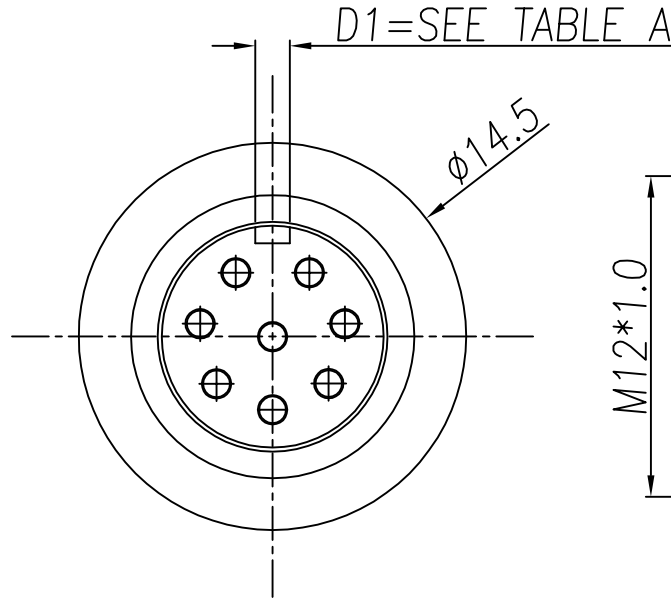


This document is the property of Nian-Yeong Corporation and is delivered on the express condition that it is not to be disclosed, reproduced or used, in whole or in part, for manufacture or sale by anyone other than Nian-Yeong Corporation without its prior consent, and that no right is granted to disclose or to use any information in this document.

CUSTOMER DRAWING

REV.	DESCRIPTION	APPVL. BY	DATE	ECN NO.
△	RELEASE	Fido Weng	11/04/13*	
△	ADD P/N	Ku Chou	04/06/19*	
△				

	
8PIN	7PIN
WP-08M2-35 WP-08M2-64-11 WP-08M2-111-11 WP-08M2-112-11	WP-07M2-30-11
	
6PIN	6PIN
WP-06M2-89-11	WP-06M2-69-11



- MATERIAL :
 - HOUSING : PBT UL94V-0 ; COLOR : BLACK
 - CONTACT : BRASS
 - NUT : SEE TABLE A
 - O-RING : EPDM ; COLOR : BLACK
 - SHELL : SEE TABLE A

- FINISH :
 - CONTACT : SEE TABLE A
UNDER PLATE : NICKEL
 - NUT : SEE TABLE A
 - SHELL : SEE TABLE A

- ELECTRICAL SPECIFICATION :
 - Rated current : 2A
 - Rated Voltage : 30V
 - Water proof : IP67

- Environmental :
 - Operation Temperature : -40°C~85°C

TABLE A

WP-08M2-111-11	STAINLESS STEEL 316	PASSIVATION	STAINLESS STEEL 316	PASSIVATION	GOLD 10u"	1.1
WP-08M2-112-11	BRASS	BRIGHT TIN PLATED	STAINLESS STEEL 316	PASSIVATION	GOLD 10u"	1.1
WP-08M2-64-11	BRASS	BRIGHT TIN PLATED	BRASS	NICKEL PLATED	GOLD 10u"	1.1
WP-08M2-35	BRASS	BRIGHT TIN PLATED	BRASS	NICKEL PLATED	GOLD FLASH	1.1
WP-07M2-30-11	BRASS	BRIGHT TIN PLATED	BRASS	NICKEL PLATED	GOLD FLASH	1.1
WP-06M2-89-11	BRASS	BRIGHT TIN PLATED	BRASS	NICKEL PLATED	GOLD FLASH	1.1
WP-06M2-69-11	BRASS	BRIGHT TIN PLATED	BRASS	NICKEL PLATED	GOLD 10u"	1.3
PART NO	MATERIAL(SHELL)	FINISH(SHELL)	MATERIAL(NUT)	FINISH(NUT)	FINISH	D1

DRAWN	Emily Suen	APP'D	Ku Chou	UNIT	mm	TOLERANCE		TITLE	防水頭 M12 (M) A-CODE 線端焊線式+接地			SHEET	
CHK'D	Ku Chou			SCALE	1:1	.x ±0.20 .xx ±0.10 .xxx ±0.05 .xxxx ±0.03 ANGULA ±1°		 NIAN YEONG ENTERPRISE 年永實業有限公司	PART NO.	SEE TABLE A	DWG NO.	QC6163	VERSION D