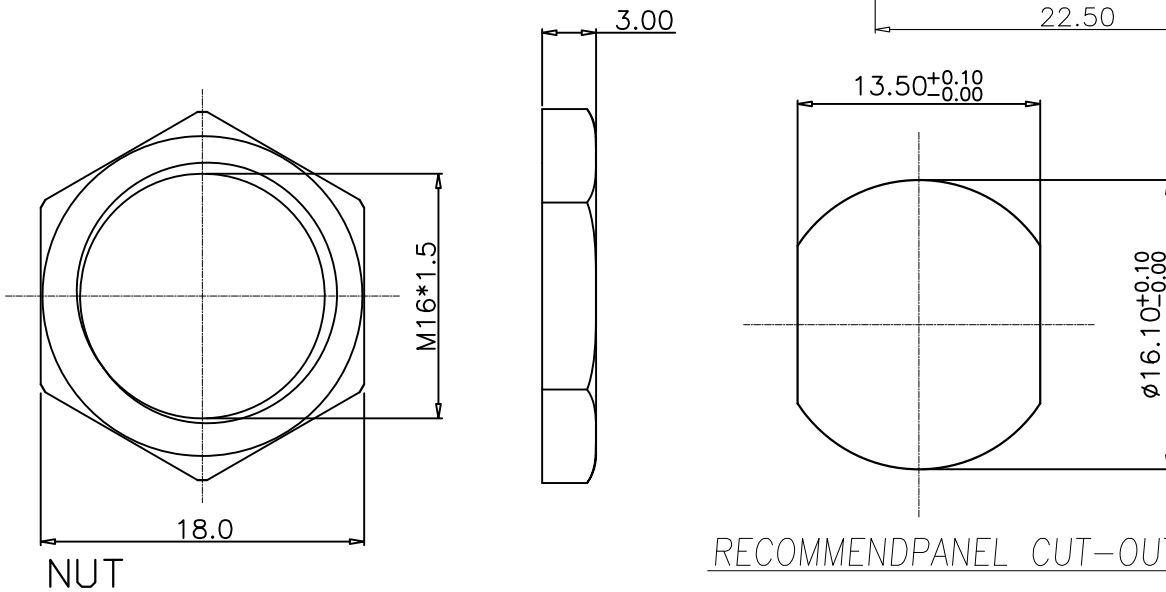
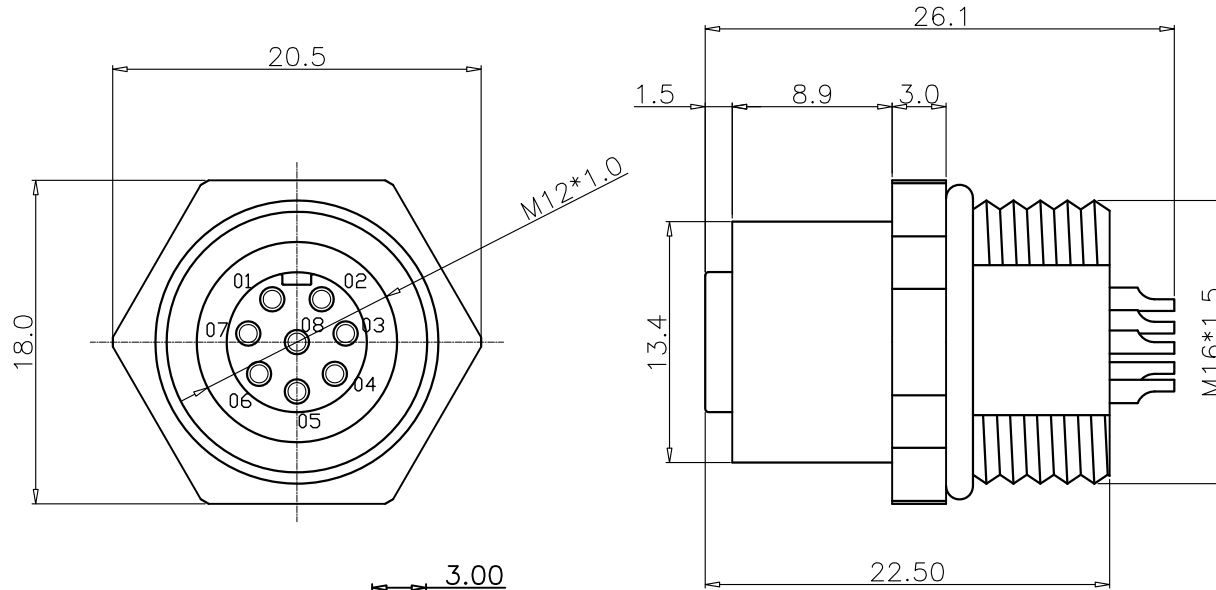


This document is the property of Nian-Yeong Corporation and is delivered on the express condition that it is not to be disclosed, reproduced or used, in whole or in part, for manufacture or sale by anyone other than Nian-Yeong Corporation without its prior consent, and that no right is granted to disclose or to use any information in this document.

# CUSTOMER DRAWING

REV.	DESCRIPTION	APPROVED BY	DATE	ECN NO.
A	RELEASE	Fido Weng	08/07/14'	
B				
C				



- MATERIAL :
  - HOUSING : PBT UL94V-0 ; COLOR : BLACK
  - CONTACT : BRASS
  - NUT : BRASS
  - SHELL : BRASS
  - O-RING : EPDM
- FINISH :
  - CONTACT : GOLD PLATED.  
UNDER PLATE : NICKEL
  - NUT : NICKEL PLATED
  - SHELL : NICKEL PLATED
- ELECTRICAL SPECIFICATION :
  - Rated current : 2A
  - Rated Voltage : 30V
  - Water proof : IP67
- Environmental :
  - Operation Temperature : -40°C~85°C

RECOMMEND PANEL CUT-OUT

DRAWN	Ku Chou	APPEND	Emily Suen	UNIT	mm	TOLERANCE		TITLE	防水頭 M12 8p A-Code (F) 後鎖 M16 螺絲式			SHEET	
CHOKED	Emily Suen	SCALE	1:1	TOLERANCE	.x ±0.20 .xx ±0.10 .xxx ±0.05 .xxxx ±0.03 ANGULA ±1°	PART NO.		WP-08F2-49-11	DWG NO.	QC6848	VERSION	A	

NIAN YEONG ENTERPRISE  
年永實業有限公司